

61E400

**Illustrated Parts List
Model Series**

61E400

ELECTRONIC FUEL INJECTION

AIR COOLED HORIZONTAL SHAFT

TYPE NUMBER(S):

0001, 0002, 0003, 0004, 0005, 0006, 0007.

Not for
Reproduction



PRINTED IN U.S.A.

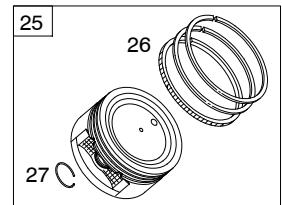
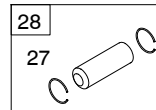
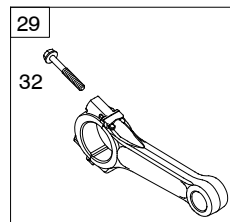
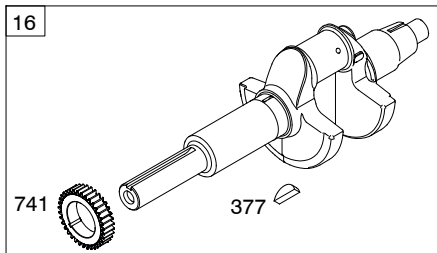
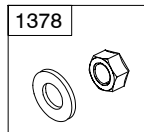
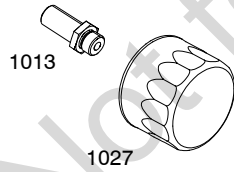
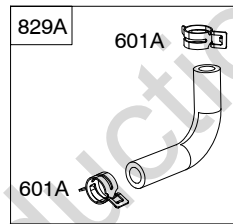
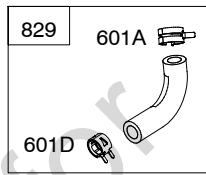
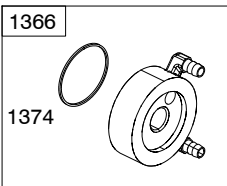
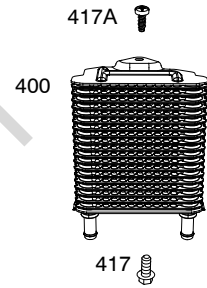
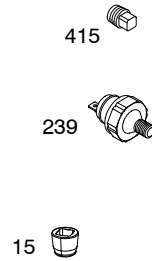
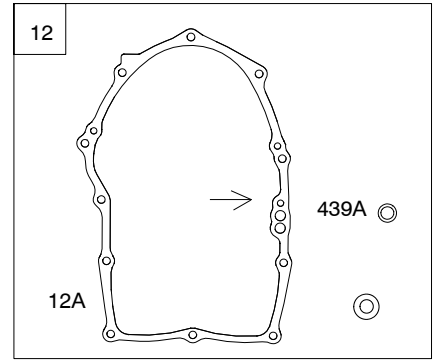
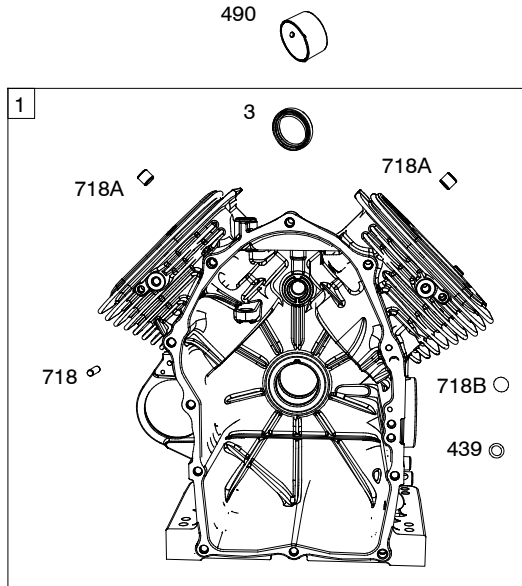
COPYRIGHT by BRIGGS & STRATTON CORPORATION
All rights reserved. No part of this material may be reproduced or transmitted,
in any form or by any means, electronic or mechanical, including photocopying,
recording or by any information storage and retrieval system, without
permission
in writing from Briggs & Stratton Corporation

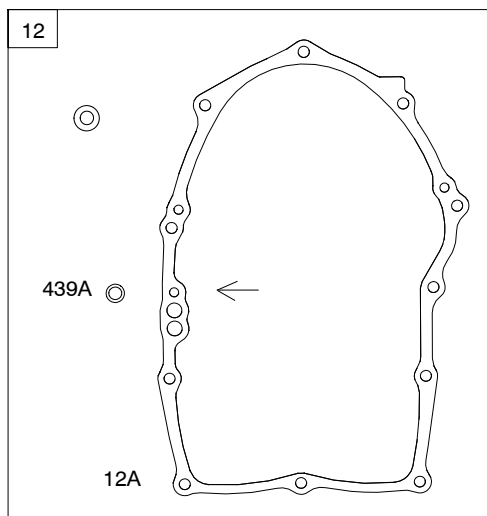
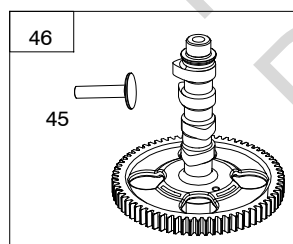
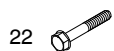
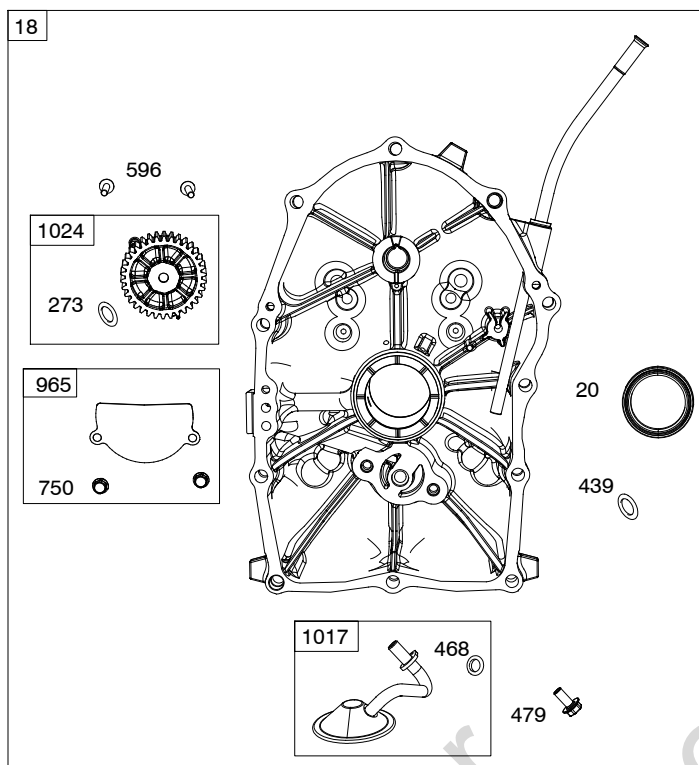
61E400

1036

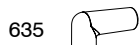
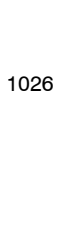
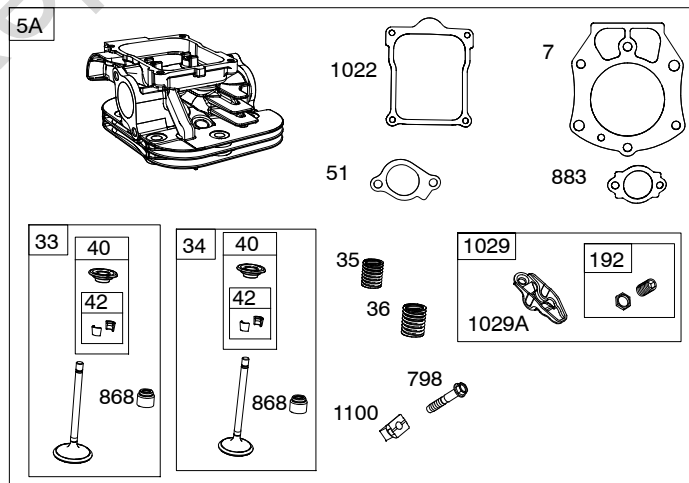
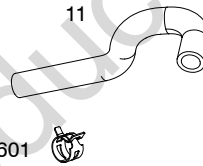
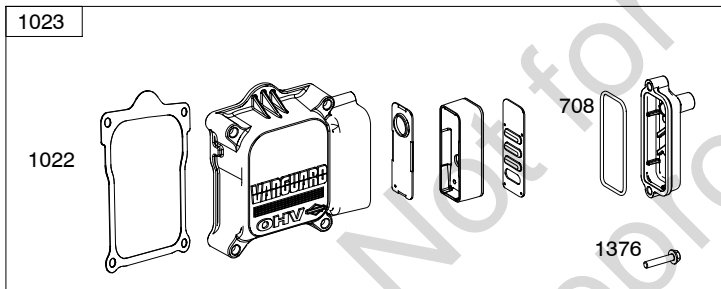
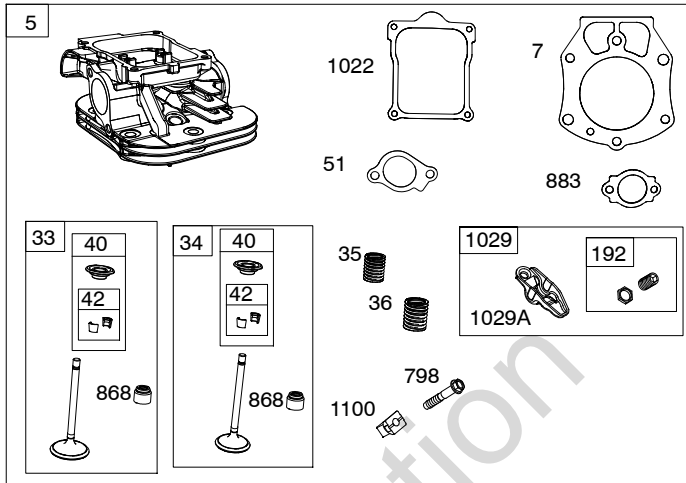
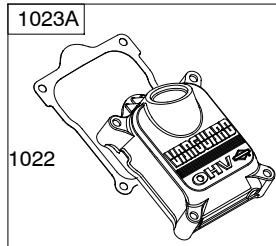
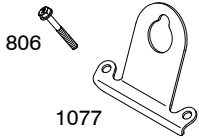
1058

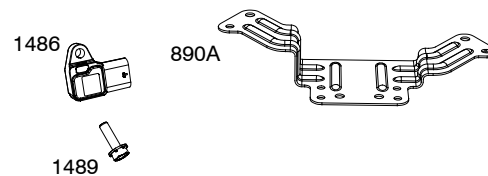
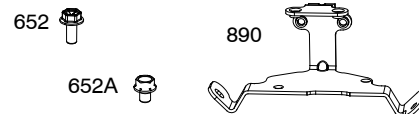
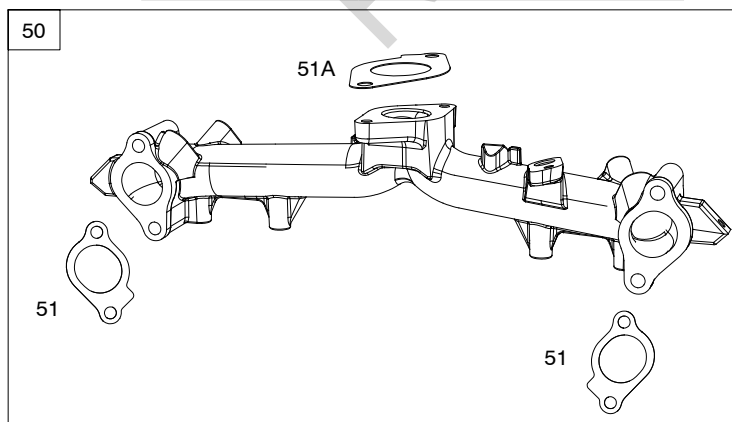
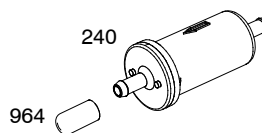
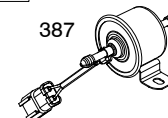
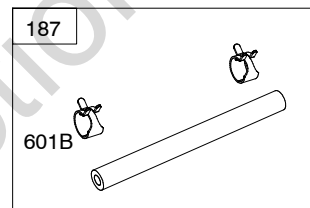
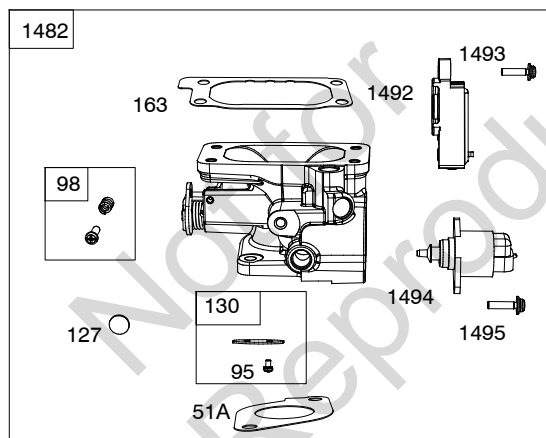
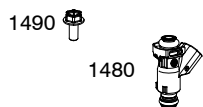
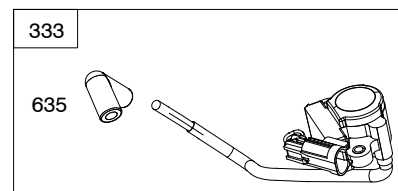
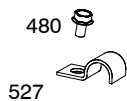
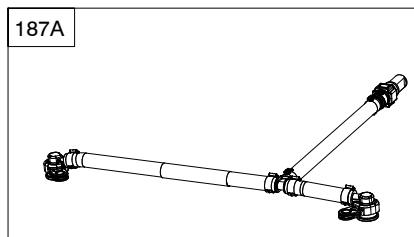
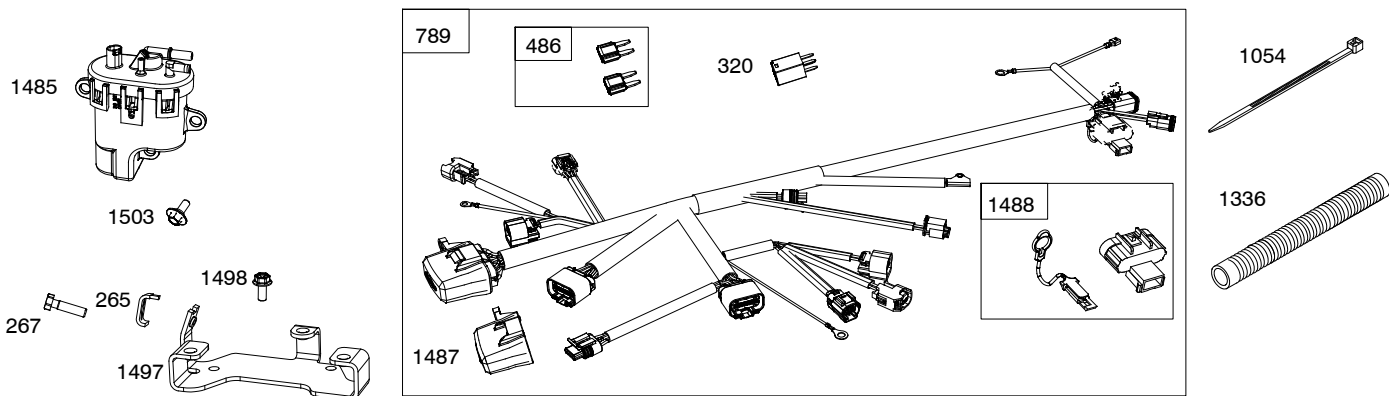
1330

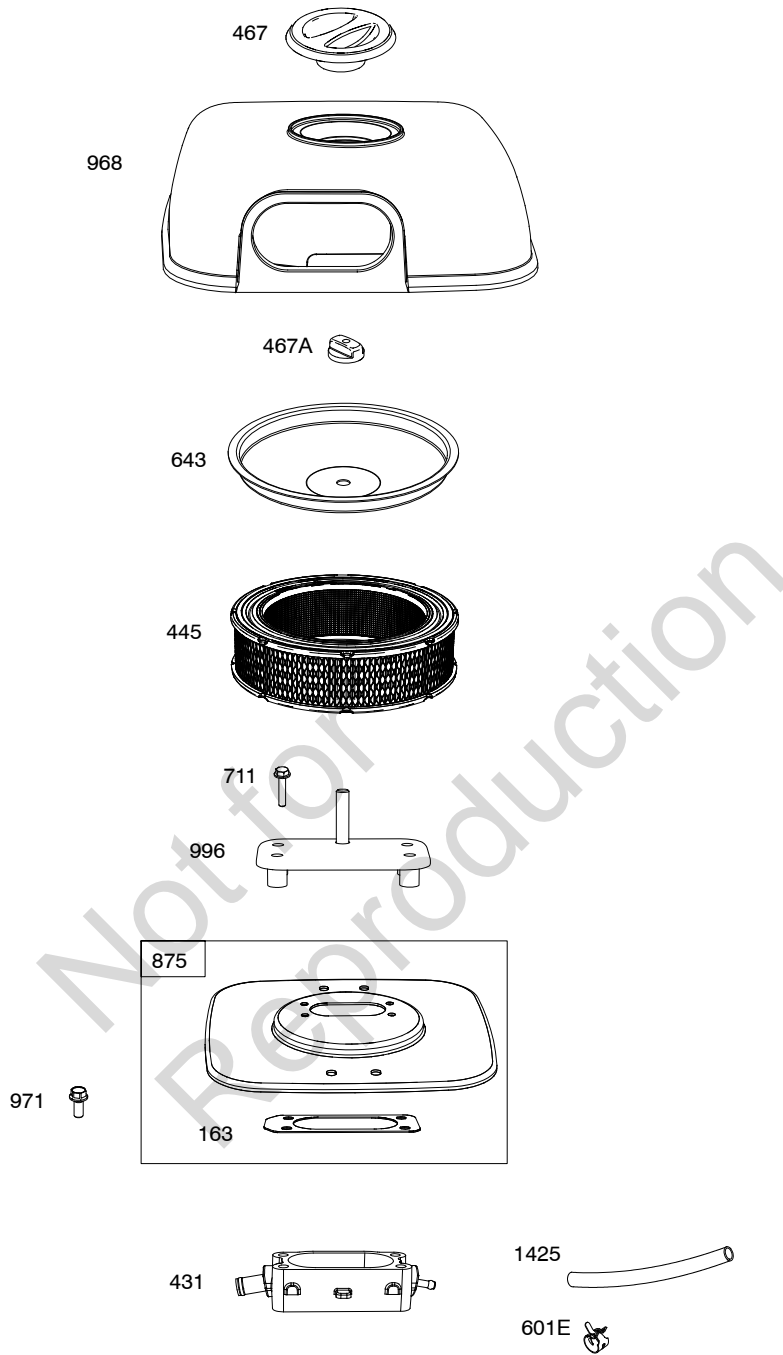


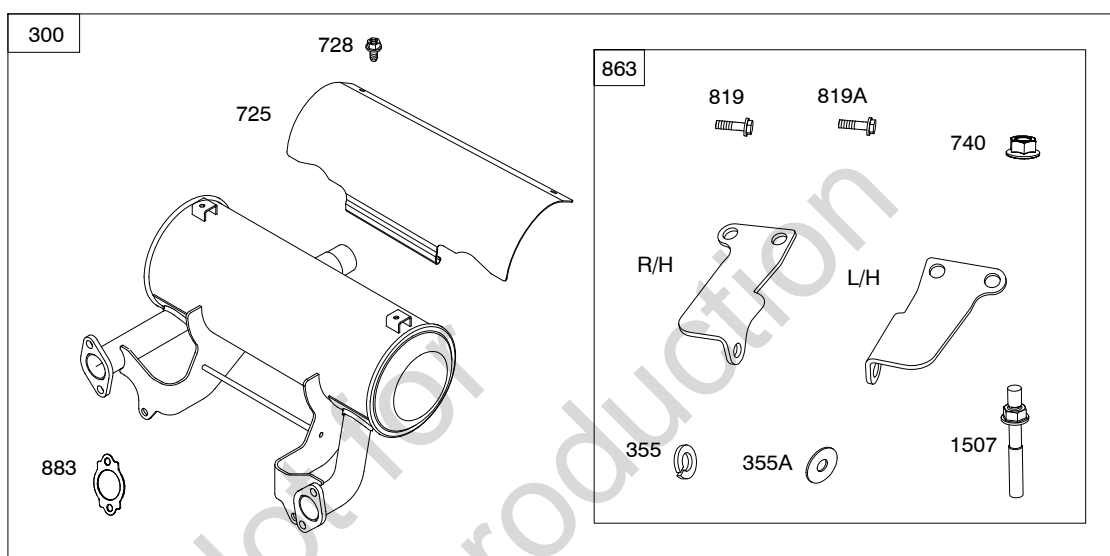


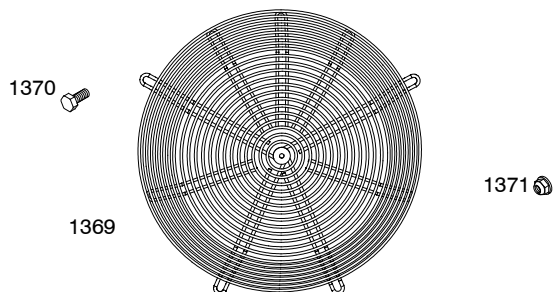
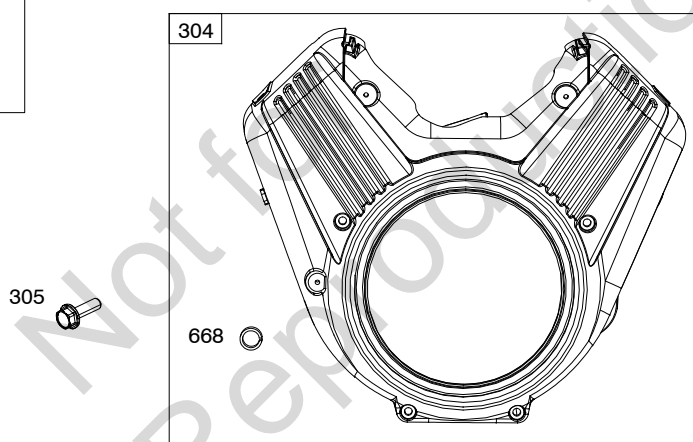
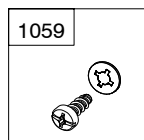
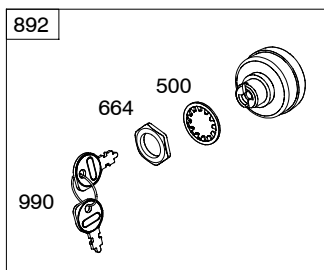
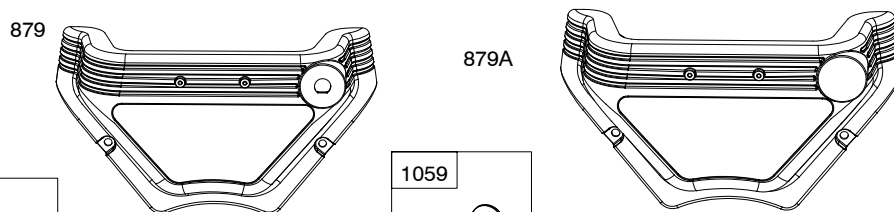
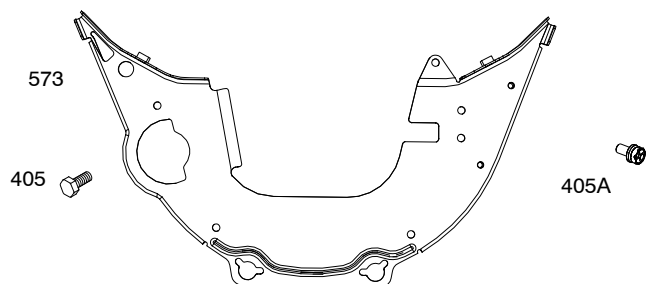
61E400

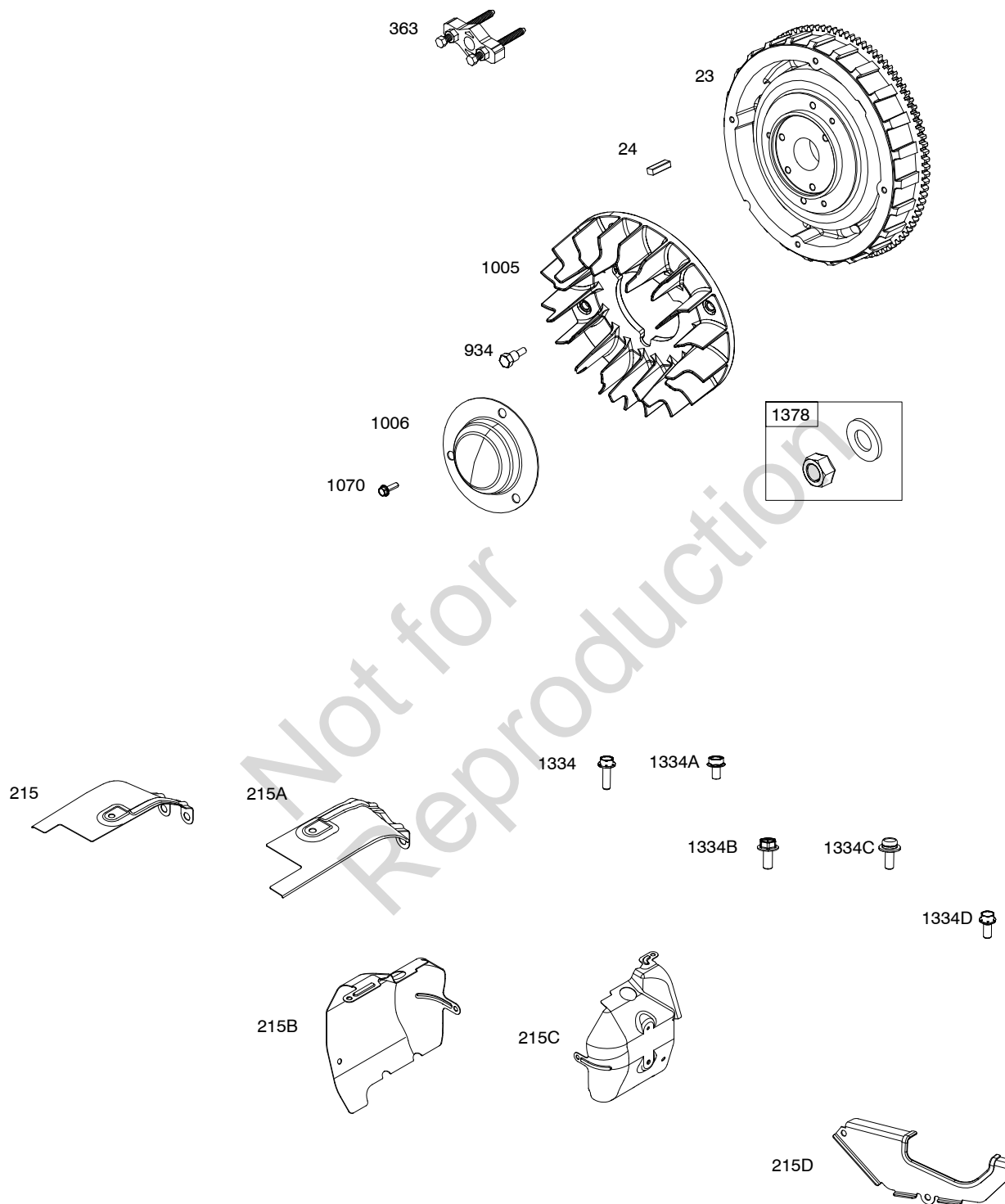






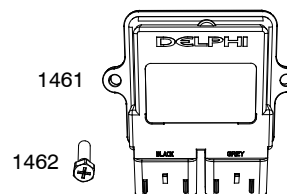
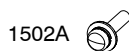
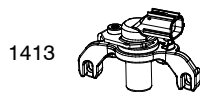
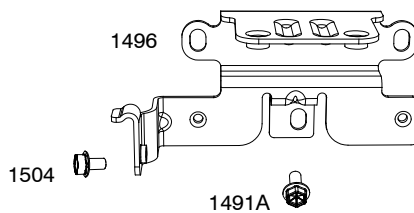
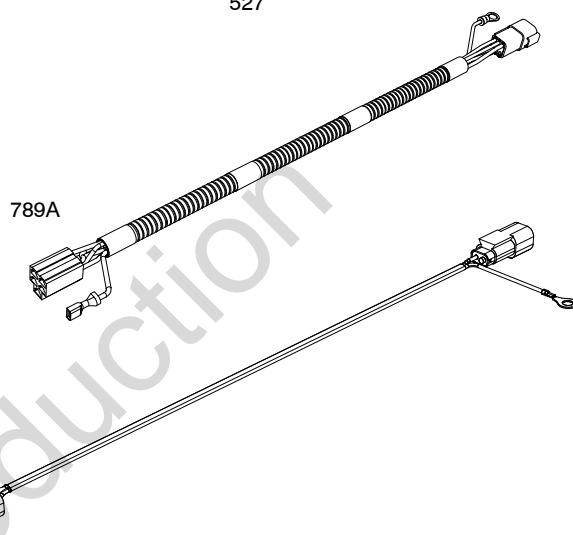
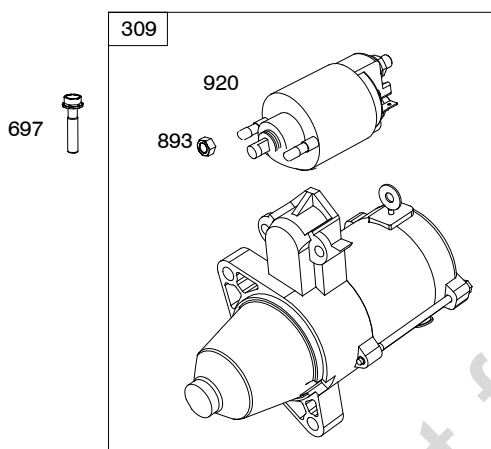
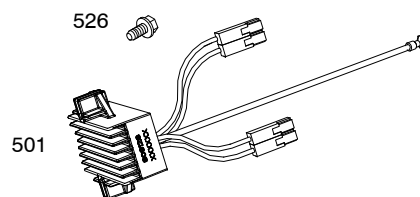
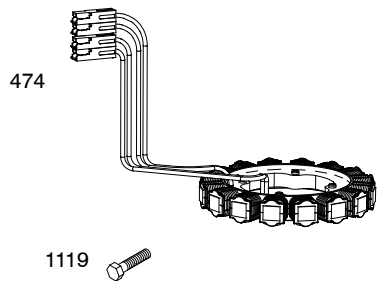


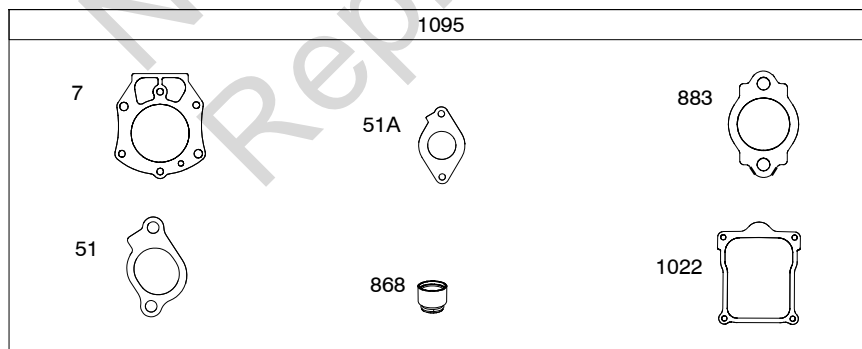
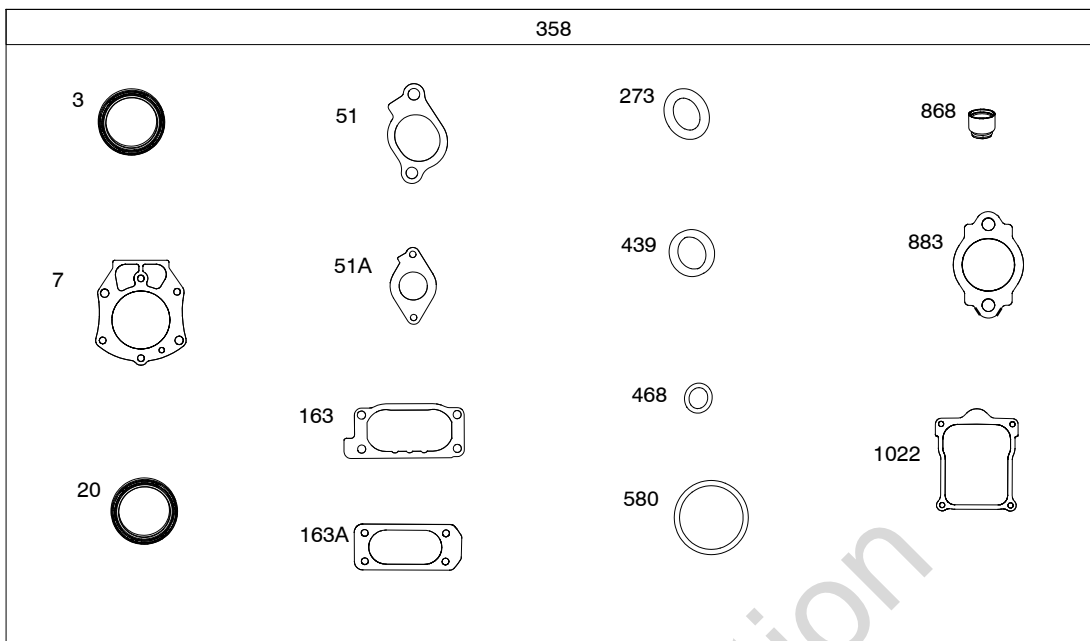




Not for
Reproduction

61E400





61E400

REF. NO.	PART NO.	DESCRIPTION	REF. NO.	PART NO.	DESCRIPTION	REF. NO.	PART NO.	DESCRIPTION
1	846429	Cylinder Assembly	33	844787	Valve-Exhaust	273	690681	Seal-O Ring (Oil Pump)
3	841596	Seal-Oil	34	846469	Valve-Intake	300	846444	Muffler (Stainless Steel Center Outlet)
5	846463	Head-Cylinder (Cylinder #1)	35	845589	Spring-Valve (Intake) (Pink)	304	846481	Housing-Blower (Oil Cooler)
5A	846464	Head-Cylinder (Cylinder #2)	36	845589	Spring-Valve (Exhaust) (Pink)	305	807435	Screw (Blower Housing) (M6x20mm)
7	809730	Gasket-Cylinder Head	40	844788	Retainer-Valve	309	845760	Motor-Starter
11	846502	Tube-Breather (Formed Hose)	42	807683	Keeper-Valve	320	593902	Relay (Wire Harness)
12	846037	Gasket-Crankcase (Steel Core Gasket)	45	809785	Tappet-Valve	333	846490	Armature-Magneto
12A	843969	Gasket-Crankcase (Steel Core Gasket)	46	809879	Camshaft	334	841552	Screw (Magneto Armature) (M5x20mm)
13	809784	Screw (Cylinder Head)	50	846503	Manifold-Intake	337	491055s	Plug-Spark (Used on Type No(s). 0001, 0002, 0003, 0004, 0005.)
15	691680	Plug-Oil Drain	51	841592	Gasket-Intake (Intake Manifold)			----- Note -----
16	841839	Crankshaft (Used on Type No(s). 0001, 0002, 0005, 0007.)	51A	846473	Gasket-Intake (Intake Manifold)			792015 Plug-Spark (Used on Type No(s). 0006, 0007.)
		----- Note -----	95	593897	Screw (Throttle Valve)			
		842268 Crankshaft (Used on Type No(s). 0003, 0004, 0006.)	98	846477	Kit-Idle Speed			
18	846435	Cover-Crankcase	127	691742	Plug-Welch			
20	841596	Seal-Oil (PTO Side)	130	846476	Valve-Throttle			
21	843464	Cap-Oil Fill	163	807375	Gasket-Air Cleaner			
22	807362	Screw (Crankcase Cover/Sump) (M8x50mm)	163A	843117	Gasket-Air Cleaner			
23	846461	Flywheel	187	791766	Line-Fuel (15" Long) (Cut to Required Length)	355	844035	Washer (Muffler Bracket) (Flat Washer)
24	796335	Key-Flywheel (Steel)			----- Note -----	355A	691075	Washer (Muffler Bracket) (Lockwasher)
25	841837	Piston Assembly (Standard)			791745 Line-Fuel (23" Long) (Cut to Required Length)	358	846671	Gasket Set-Engine
		----- Note -----	187A	846475	Line-Fuel	363	19203	Puller-Flywheel
		842939 Piston Assembly (.020" Oversize)	192	690083	Adjuster-Rocker Arm	377	691639	Key-Woodruff
26	809972	Ring Set (Standard)	215	846455	Guide-Air (Cylinder #1)	383	19576s	Wrench-Spark Plug
		----- Note -----	215A	846456	Guide-Air (Cylinder #2)	387	846470	Pump-Fuel
		841932 Piston Assembly (.020" Oversize)	215B	809897	Guide-Air (Cylinder #2)	400	846249	Cooler-Oil
27	807351	Lock-Piston Pin	215C	809738	Guide-Air (Cylinder #1)	405	841233	Screw (Back Plate) (M6X10mm)
28	807361	Pin-Piston	215D	846458	Guide-Air (Valley)	405A	841735	Screw (Back Plate) (M6X14mm)
29	841838	Rod-Connecting	239	841281	Switch-Oil Pressure	415	794903	Plug (Oil Pressure Switch)
32	807363	Screw (Connecting Rod)	240	845125	Filter-Fuel	417	841233	Screw (Oil Cooler) (M6x10mm)
			265	691024	Clamp-Casing (Control Bracket)	417A	846250	Screw (Oil Cooler) (M6x16mm)
			267	841552	Screw (Casing Clamp) (M5x20mm)			

Engine Gasket Set - Reference 358

Valve Gasket Set - Reference 1095

61E400

REF. NO.	PART NO.	DESCRIPTION	REF. NO.	PART NO.	DESCRIPTION	REF. NO.	PART NO.	DESCRIPTION
431	846507	Elbow-Intake	635	692076	Boot-Spark Plug	863	843487	Bracket-Muffler
437	846149	Screw	643	844932	Retainer-Air Filter			(Mud Boat Application)
		(Exhaust Manifold)	652	807084	Screw	868	691963	Seal-Valve
		(M8x25mm)			(Support Bracket)	875	843118	Base-Air Cleaner
439	692154	O Ring-Oil Gallery			(M6x14mm)	879	846504	Cover-Carburetor
		(Cylinder)	652A	845964	Screw			(Key Switch)
439A	846027	O Ring-Oil Gallery			(Support Bracket)	879A	846480	Cover-Carburetor
		(Crankcase			(M8x10mm)			(Without Key Switch)
		Cover/Sump)	664	691087	Nut	883	809872	Gasket-Exhaust
445	692519	Filter-			(Key Switch)	890	846506	Bracket-Support
		Air Cleaner Cartridge	668	841974	Spacer	890A	846493	Bracket-Support
467	846008	Knob-A/C Cover			(Blower Housing)	892	692318	Switch-Key
467A	846007	Knob-A/C Cover	697	690711	Screw			(Includes
468	690690	Seal-O Ring			(Starter Motor)			Key Switch Label)
		(Oil Pump Screen)			(M8x38mm)	893	845758	Nut
474	841178	Alternator	708	841301	Seal-O Ring			(Starter Solenoid)
479	807084	Screw			(Breather Reed)	914	807357	Screw
		(Oil Pump Screen)	711	806444	Screw			(Rocker Cover)
480	841233	Screw			(Carburetor Shield)	920	845757	Solenoid-Starter
		(Tube Clamp)			(M6x68mm)	934	841205	Screw
		(M6x10mm)	718	690959	Pin-Locating			(Fan Retainer)
486	593901	Fuse			(Cylinder)	964	590799	Cap-Connector
490	843433	Bearing-Magneto Side	718A	809508	Pin-Locating			(Fuel Filter)
500	691086	Washer			(Cylinder Head)	965	809422	Cover-Oil Pump
		(Key Switch)	718B	845925	Pin-Locating	968	846323	Cover-Air Cleaner
501	841170	Regulator			(Cylinder)	971	692062	Screw
523	841007	Dipstick	725	841132	Shield-Heat			(Air Cleaner Base to
526	690717	Screw	728	692067	Screw			Carburetor/Throttle
		(Regulator)			(Heat Shield)			Body)
		(M6x30mm)	740	690941	Nut	990	691959	Key Set
527	690423	Clamp-Tube			(Muffler Bracket)	996	846006	Shield-Carburetor
573	842712	Plate-Back	741	809432	Gear-Timing	1005	809950	Fan-Flywheel
578	846423	Wire Assembly	750	841233	Screw	1006	846495	Retainer-Fan
580	809894	Seal-O Ring			(Oil Pump Cover)	1013	841602	Nipple-Oil Filter
		(Oil Fill Cap)	789	846471	Harness-Wiring	1017	809421	Screen-Oil Pump
587	807116	Clamp-Cable	789A	843613	Harness-Wiring	1022	809732	Gasket-Rocker Cover
596	691492	Screw			Used on Type No(s).	1023	809789	Cover-Rocker
		(Oil Pump)			0001, 0004, 0005,			(Cylinder #2)
601	844405	Clamp-Hose			0006, 0007.	1023A	809731	Cover-Rocker
		(Breather Tube)	798	691492	Screw			(Cylinder #1)
601A	841597	Clamp-Hose			(Rocker Arm)	1024	845983	Pump-Oil
		(Oil Cooler Hose)	806	807357	Screw	1026	809783	Rod-Push
601B	791850	Clamp-Hose			(Lifting Bracket)			(Intake and Exhaust)
		(Green)	819	692062	Screw	1027	842921	Filter-Oil
601C	691038	Clamp-Hose			(Muffler Bracket)	1029	690972	Arm-Rocker
		(Black)	819A	809529	Screw	1029A	807323	Arm-Rocker
601D	845209	Clamp-Hose			(M8x18mm)	1036		Label-Emissions
		(Oil Cooler Hose)			(Muffler Bracket)			(Available from a
601E	846483	Clamp-Hose			(M8x55mm)			Briggs & Stratton
		(Purge Line Hose)	829	846247	Hose-Oil Cooler			Authorized Dealer)
613	692062	Screw	829A	846248	Hose-Oil Cooler	1054	280275	Tie-Cable
		(Muffler)				1058	80005373TRI	Operator's Manual
		(M8x18mm)						

Engine Gasket Set - Reference 358

Valve Gasket Set - Reference 1095

61E400

REF. NO.	PART NO.	DESCRIPTION	REF. NO.	PART NO.	DESCRIPTION	REF. NO.	PART NO.	DESCRIPTION
1059	845300	Kit-Screw/Washer (Carburetor Cover)	1336	841015	Shield-Wire Protective (Cut To Required Length)	1491	807435	Screw (Throttle Body) (M6x20mm)
1070	807435	Screw (Flywheel Fan) (M6x20mm)	1366	841510	Diverter-Oil Cooler	1491A	807084	Screw (Throttle Body) (M6x14mm)
1077	809729	Bracket-Lifting	1369	842858	Guard-Flywheel Fan	1492	846478	Sensor-Throttle
1095	846672	Gasket Set-Valve	1370	841233	Screw (Flywheel Fan Guard)	1493	807120	Screw (Throttle Sensor)
1100	791959	Pivot-Rocker Arm	1371	841537	Nut (Flywheel Fan Guard)	1494	846479	Valve-Idle Air
1119	691552	Screw (Alternator)	1374	841506	Seal-O Ring (Oil Cooler Diverter)	1495	807120	Screw (Idle Air Valve)
1130	841590	Stud (Intake Manifold)	1376	806421	Screw (Breather/Reed Cover)	1496	846485	Bracket-ECU
1174	842067	Nut (Intake Manifold)	1378	844795	Washer/Nut Set (Flywheel)	1497	846505	Bracket-Fuel Module
1212	809958	Stud (Blower Housing)	1413	846457	Sensor-Speed	1498	807084	Screw (Fuel Module Bracket) (M6x14mm)
1330	N/A	Repair Manual (Not Available At This Printing)	1425	846514	Hose-Purge Line	1502	846459	Screw (Speed Sensor) (M5x10mm)
1334	807435	Screw (Air Guide) (M6x20mm)	1461	846484	Engine Control Unit (ECU)	1502A	807120	Screw (Speed Sensor/Wire Harness to Cylinder Head) (M4x18mm)
1334A	841233	Screw (Air Guide) (M6x10mm)	1462	841552	Screw (Engine Control Unit)	1503	691005	Screw (Fuel Module) (1/4-20x.68)
1334B	807084	Screw (Air Guide) (M6x14mm)	1480	593852	Injector-Fuel	1504	841233	Screw (Fuse Cover) (M6x10mm)
1334C	690677	Screw (Air Guide) (M4x12mm)	1482	846474	Body-Throttle	1507	846324	Stud (Muffler Bracket) Used on Type No(s). 0001, 0002, 0003, 0004, 0005.
1334D	692062	Screw (Air Guide) (M8x18mm)	1485	593890	Module-Fuel			
			1486	593905	Sensor-TEMP/MAP			
			1487	593900	Cover-Fuse			
			1488	593899	Cover-Diagnostic			
			1489	807435	Screw (TEMP/MAP Sensor) (Intake Manifold) (M6x20mm)			
			1490	807084	Screw (Fuel Injector)			

Engine Gasket Set - Reference 358

Valve Gasket Set - Reference 1095

Not for
Reproduction

Not for
Reproduction

